



Gentex AVP ADA Retrofit Strobes

Section: Audio/Visual Devices

GENERAL

The **Gentex AVP Series** is designed to make ADA retrofits a snap, allowing the combination of existing audible appliances with ADA-compliant strobes.



S5405

STANDARD FEATURES

- 24 VDC xenon visible appliances.
- UL 1971 listed.
- Flash rate of 1 Hz.
- 15/75 and 30/75 models provide 75 candela minimum on-axis output.
- Accepts most audible appliances: front-mount horn, bell chimes, or speakers.
- Tamper-resistant lens.
- Polarized in/out wiring.
- Complies with ADA 4.28.3 mounting requirements of 80" (2.032 m) from floor.
- Available in Fire Alarm Red.
- Strobes available in wall-mount configurations only.
- Textured finish.
- Flying leads.



ORDERING INFORMATION

Model Number	Nominal Voltage	Flash Rate/Minute	Light Effective Intensity in Candela	Combined Rated Current @ Nominal Operating Voltage	Combined Rated Current @ Maximum Operating Voltage	dB at 10 ft. (3.048 m)
AVP-4-15/75WR	24 VDC	60	15 (UL 1971) 75 (UL 1638)	105 mA	87 mA	—
AVP-4-30/75WR	24 VDC	60	30 (UL 1971) 75 (UL 1638)	142 mA	114 mA	—
AVP-4-110WR	24 VDC	60	110	220 mA	179 mA	—

NOTES: 1) "WR" = Wall-mount, Red faceplate. 2) ALL 24 VDC MODELS operate from 21 - 30 VDC -20%/+10%. 3) At 24 VDC, **15/75 candela units** have a startup current of 130 mA and a peak operating current of 110 mA; **30/75 candela units** have a startup current of 120 mA and a peak operating current of 160 mA; **110 candela units** have a startup current of 148 mA and a peak operating current of 240 mA.

This document is not intended to be used for installation purposes. We try to keep our product information up-to-date and accurate. We cannot cover all specific applications or anticipate all requirements. All specifications are subject to change without notice. For more information, contact **Fire-Lite**. Phone: (203) 484-7161 FAX: (203) 484-7118



12 Clintonville Road, Northford, Connecticut 06472

ISO-9001
Engineering and Manufacturing
Quality System Certified to
International Standard ISO-9001



Made in the U.S.A.

WIRING

NOTES:

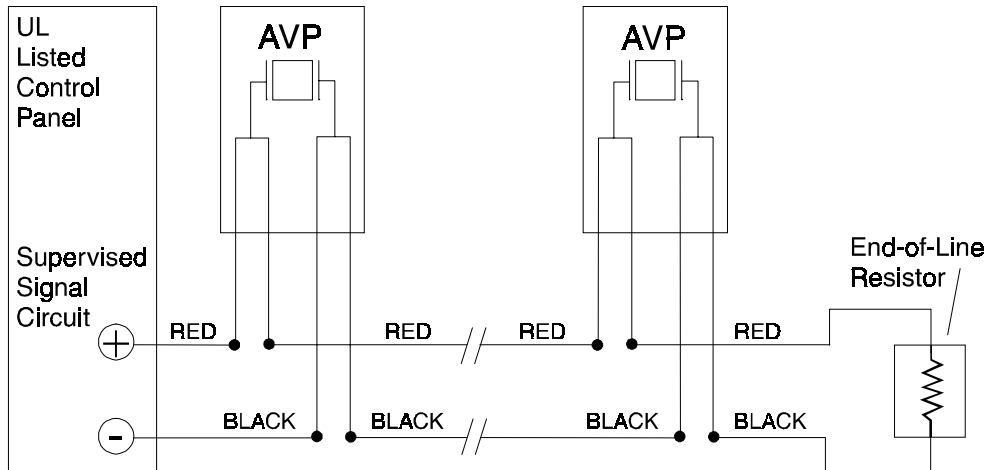
- All strobes are designed to flash as specified with **continuous applied voltage**. This appliance is NOT recommended for use on coded or pulsing signaling circuits.
- Power is supplied** when control panel is latched.
- MAX. WIRE DISTANCE* (in feet) = $\frac{\text{Panel Voltage} - \text{Device Minimum Voltage}}{\text{Total Current Draw}} \times \text{Wire Conductivity} \blacktriangle$

WIRE CONDUCTIVITY	
18 AWG (0.75 mm ²)	— 60
16 AWG (1.30 mm ²)	— 95
14 AWG (2.00 mm ²)	— 153
12 AWG (3.25 mm ²)	— 244

*Maximum wire distance includes wire to and from device.

CAUTION! Equation above applies only to regulated devices.

CAUTION! Each wire run must be broken to provide supervision of signal circuit.



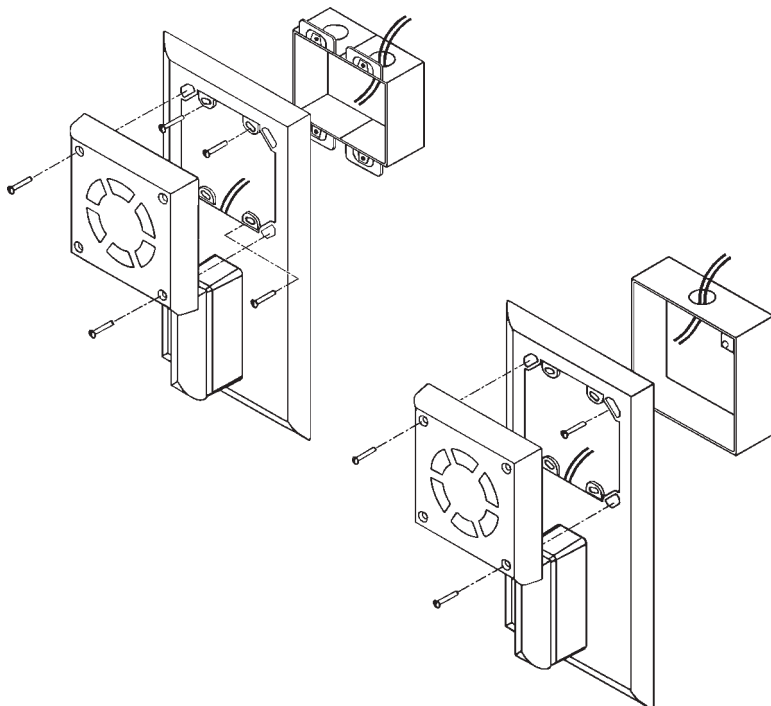
MOUNTING

Recommended mounting boxes:

- 4" (10.16 cm) square metal or non-metallic switch/outlet boxes, 1-1/2" (3.81 cm) deep minimum.
- Gangable: 2-gang switch/masonry outlet boxes, 1-1/2" (3.81 cm) deep minimum.

Mounting guidelines:

- Mount one box for each signaling device.
- Run insulated conductor from the signaling circuit in the system.
- Use UL-listed Class 1 wire.



DIMENSIONS

